

ARTOME

ONE DEVICE
ANY SPACE



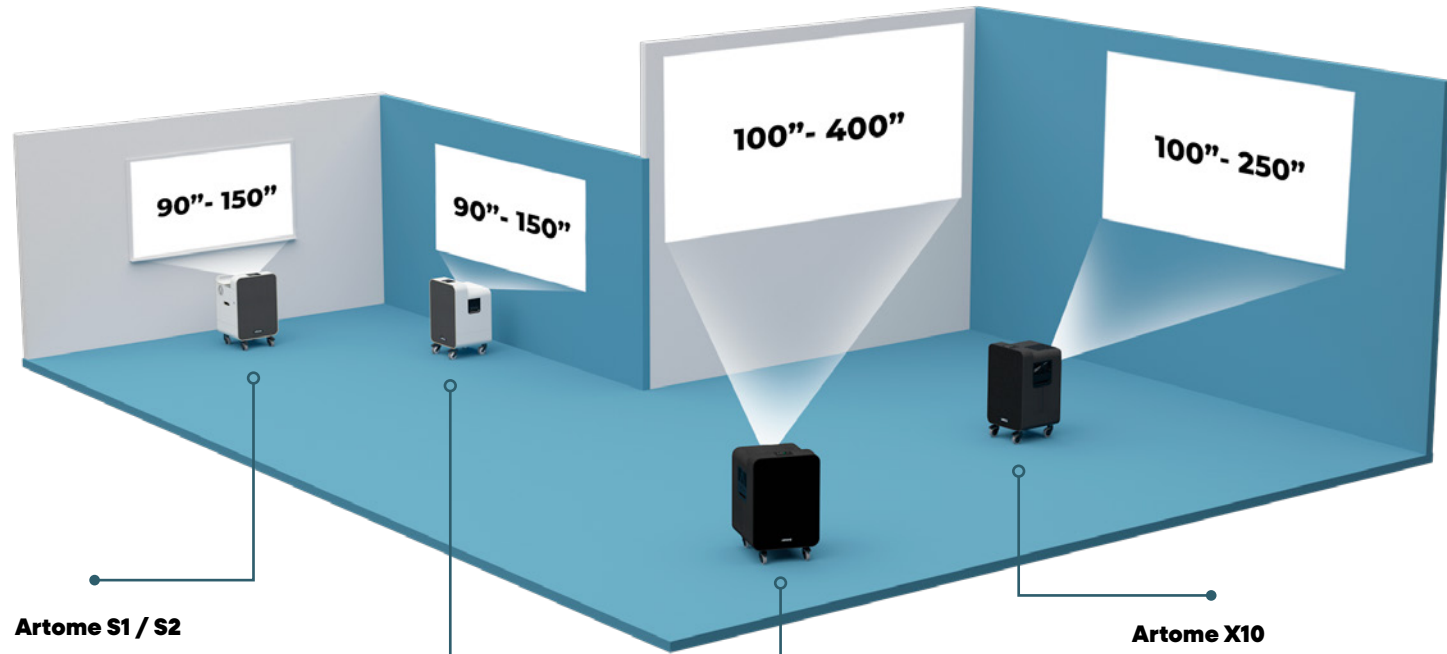
One Device. Any Space.



We're Not Following the Future. We're Building It.

The way we learn, present, and collaborate has changed forever, yet traditional AV systems remain fixed, complex, and restrictive. We set out to change that.

Artome was created to bring freedom and flexibility back to technology. One innovative, mobile solution that delivers high-quality audio and visuals anywhere, without complex installations, construction, or limitations. From classrooms to boardrooms, auditoriums to hybrid workspaces, Artome transforms any space into a fully equipped, future-ready experience.



Artome S1 / S2

S1 and S2 are installation-free AV solutions that turn any space for learning, with S2 adding hybrid and advanced audio for multipurpose use.

Artome M10

An installation-free AV solution with hybrid capability and advanced audio for multipurpose use, all in award-winning Nordic design.

Artome X20

An installation-free solution that delivers large-scale display and easy-to-use sound, even for large venues.

Artome X10

An installation-free AV solution with hybrid capability plus versatile audio and image adjustments for large multipurpose spaces.



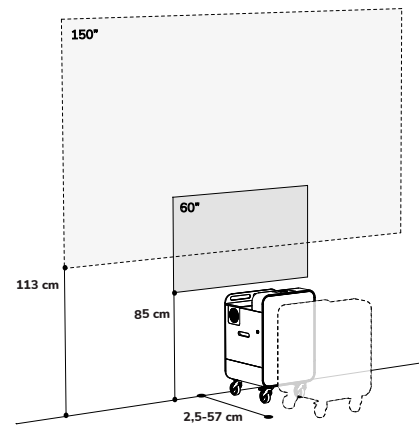
CLASSROOMS
 Everyday teaching, providing flexible presentation technology without fixed installation.

COMMON AREAS
 Welcoming visitors, displaying school projects, or hosting community events.



GYMNASIUMS
 Assemblies, sports events, or large presentations & Events.

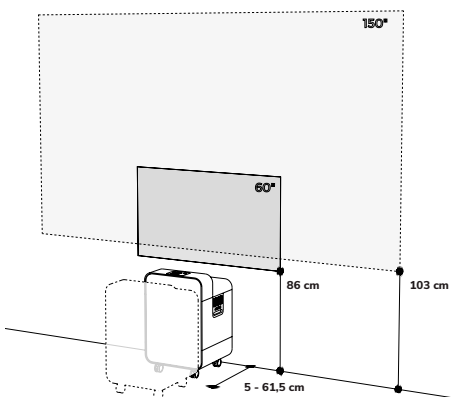




Artome S1/S2

Artome S1 and S2 are installation-free, all-in-one AV systems that turn any space into a learning space instantly. S1 pairs a 4100-lumen laser projector with quality audio, while S2 adds hybrid capability and advanced audio options for multipurpose use.

Compatible Epson projectors
EB-770F / 775F / 760W / 725F / 735W

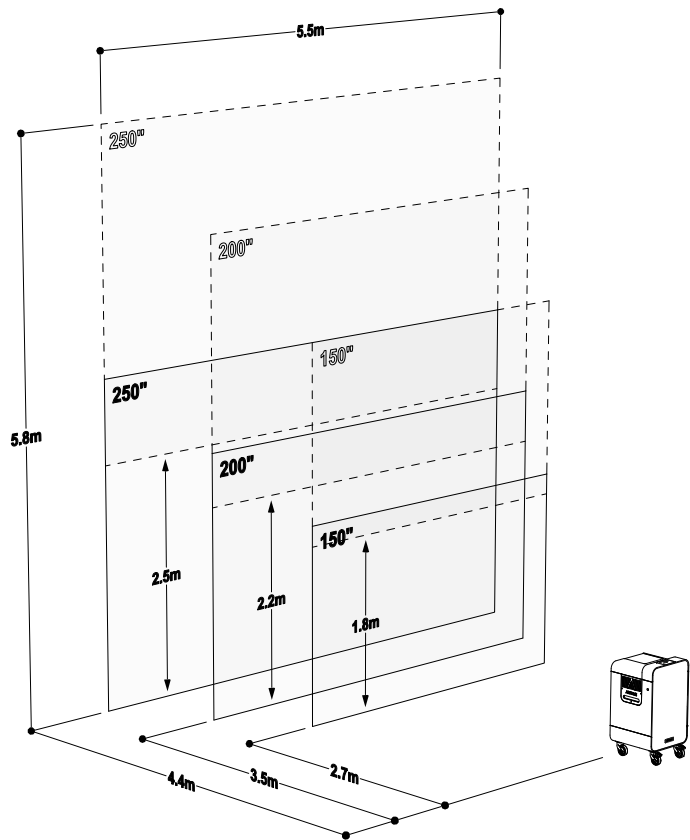


Artome M10

An installation-free, all-in-one AV system that instantly turns any space into a learning space. It pairs a 5000-lumen laser projector with quality audio and hybrid capability, all in an award-winning Nordic design for multipurpose use.

Compatible Epson projectors
EB-800F / EB-805F





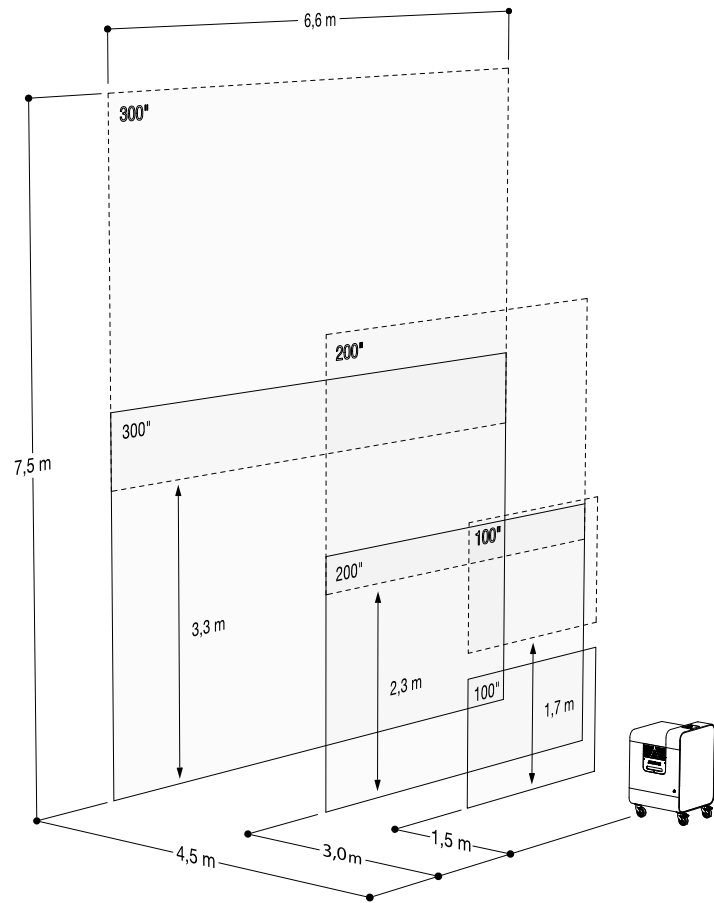
Artome X10

Movable and installation-free all-in-one solution that brings large-scale display and powerful sound to versatile spaces. Pairs up to 8,000-lumen laser projector with integrated 2.1 audio system, 3U rack space for AV equipment and hybrid capability for effortless collaboration and events.

Compatible Panasonic projectors
VMZ82, VMZ72, VMZ62, VMZ7ST, VMZ6ST, VMZ51, VMZ61, VMZ71



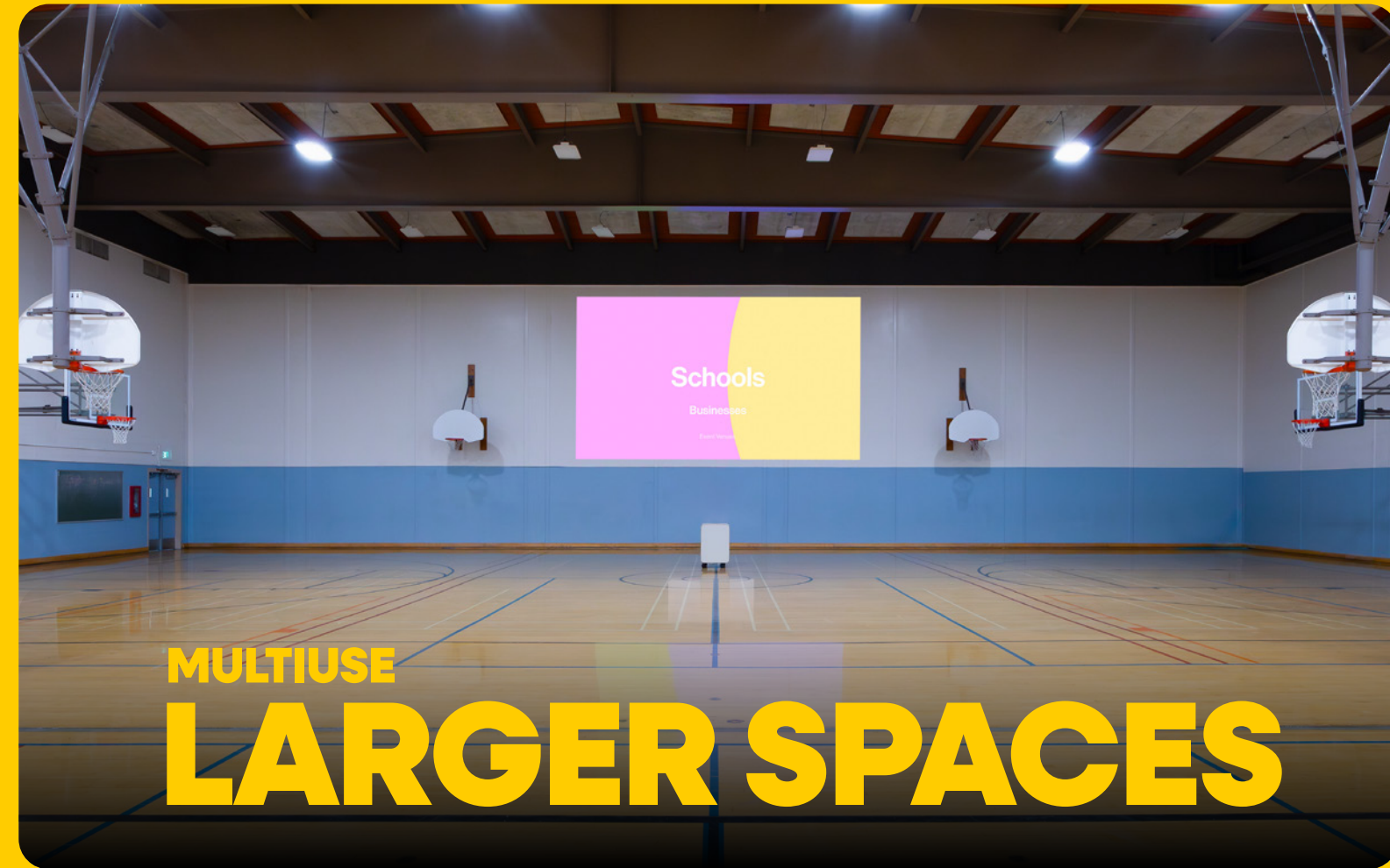
**MULTIUSE
LARGE SPACES**



Artome X20

Movable and installation-free all-in-one solution that brings large-scale display and easy-to-use sound system to large spaces. pairs a max. 10 000-lumen laser projector with quality audio and hybrid capability.

Compatible Epson projectors
 EB-PU1006 / EB-PU1007 / EB-PU1008 / EB-PU2010 /
 EB-PQ2008 / EB-PQ2010





More Than a Cart

Connect microphones, a laptop, and a webcam for a complete solution that supports both in-room and remote presentations. Built-in rack space allows easy integration of wireless receivers, casting devices, or other AV equipment.

Lock it. No surprises.

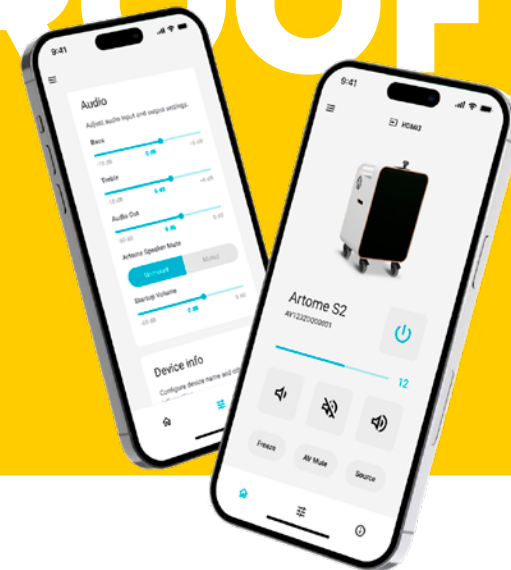
We know that users mean well, but a curious hand can quickly mess up a carefully constructed AV setup. That's why Artome has a lockable front door that protects your settings exactly as they were intended. Safe, simple, and out of reach of fingers.

SUPPORT - UPDATES - SETTINGS - SECURITY..

FUTURE PROOF

Artome Connect App

With the Artome Connect app, you can fine-tune audio, manage security settings, and customize connections to suit your environment. Easily keep your device software up to date for optimal performance and new features. Download Artome Connect from the App Store or Google Play.



DSP Settings via Artome Connect App

Bass and Treble

Bass level controls bass frequencies. Treble level controls higher frequencies. Use the sliders to adjust the audio to desired level.

Max Volume

Set maximum speaker volume level for Artome unit.

Aux In Volume

Aux in level controls the volume of the unbalanced audio. This setting is available for devices with aux in connector.

Input Gain (Line-in mode)

Adjusts the sensitivity of the XLR inputs.

Mic/Line Selector

This setting allows selecting whether the Mic inputs work on mic or line level. When line level is selected, an additional input gain control appears.

Hybridock USB Out

Adjusts the Hybridock USB Out Level for videoconferencing.

Speaker Mute

This setting allows disabling Artome internal speakers when an external PA system is used.

Audio Out Volume

Audio out level controls the output volume of audio out connectors.



HDMI
Audio and video input

ARTOME+*
Interface between video conferencing devices and a computer

USB*
Connect or power external USB devices, or play audio via compatible USB sources.

MIC 1 & 2 (XLR)
Connection wired or wireless microphones. Can be switched to Line mode.

AUDIO OUT L & R*
Audio output for external speakers (balanced stereo 0 dBV)

POWER
Power supply for peripherals

* Not included in Artome S1



HDMI
Audio and video input

AUX
Unbalanced audio input.

2 x Custom D-type slots
For optional internal connections that can be routed to the back plate when needed.

Back panel not included with X20

ARTOME



Model	Artome S1	Artome S2	Artome M10	Artome X10	Artome X20
Size W x H x D	520 x 485 x 862 mm	520 x 485 x 862 mm	520 x 475 x 862 mm	520 x 520 x 967 mm	620 x 630 x 987 mm
Compatible Projectors (not incl.)	EB-770F/775F/760W/725F/735W	EB-770F/775F/760W/725F/735W	EB-800F/805F	PT-VMZ Series	EB-PU1006/1007/1008/2010/PQ2008/2010
Projector Angle Adjustment	NO	NO	NO	YES	NO
Brightness	4100 lm	4100 lm	5000 lm	5000-8000 lm	6000-10000 lm
Recommended image size	60-150"	60-150"	60-150"	100-250"	100-400"
Image Shift	Digital	Digital	Digital	Optical & Digital	Optical & Digital
Speakers	2.1 sound system	2.1 sound system	2.1 sound system	2.1 sound system	2.1 sound system
Sound	Max. SPL 99 dB @ 1 m	Max. SPL 99 dB @ 1 m	Max. SPL 99 dB @ 1 m	Max. SPL 99 dB @ 1 m	Max. SPL 110 dB @ 1 m
Microphone inputs	2	2	2	2	2
HDMI in	2	2	2	2	1
Stereo audio Out	NO	YES	YES	YES	YES
Artome HybriDock	NO	YES	YES	YES	YES
19" Rack	3U	3U	3U	3U	4U
Cabinet colors	White	White	White (Default) / Black	Black (Default) / White	White (Default) / Black
Customizable front door	YES	YES	YES	YES	YES
Weight	40kg	40kg	38kg	46kg	60 kg